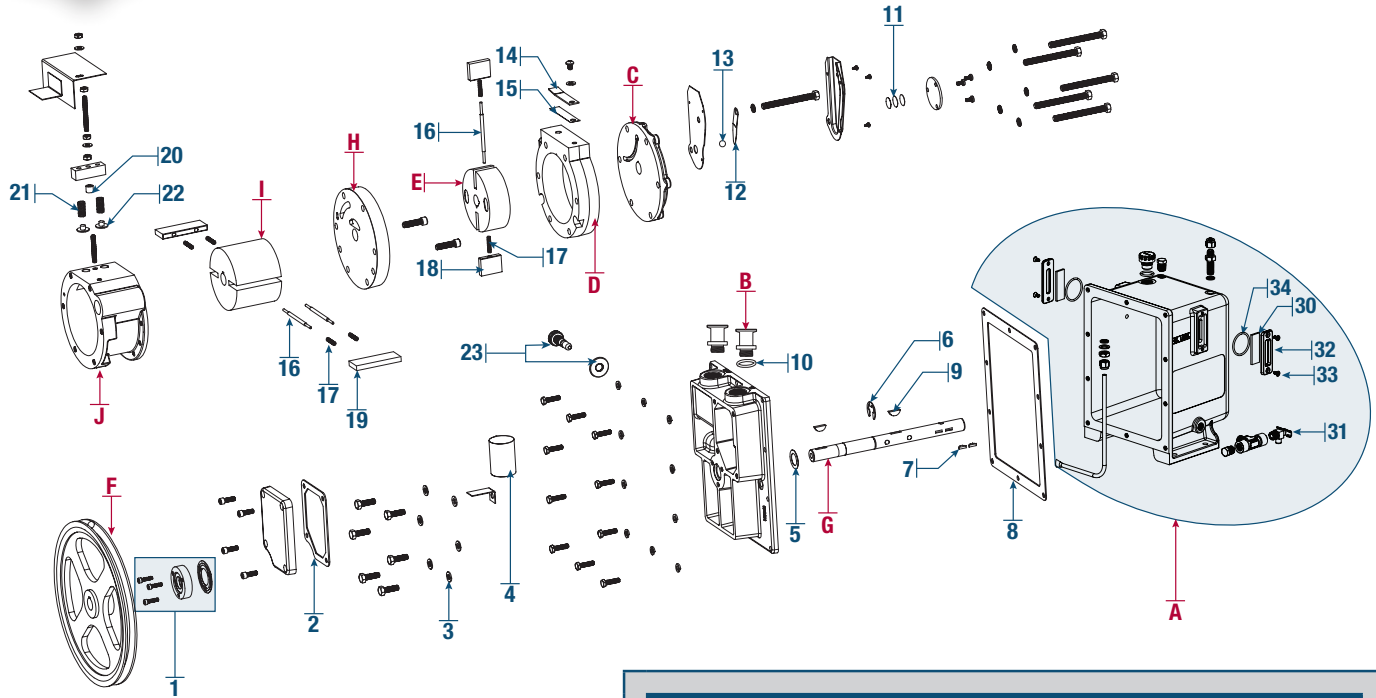


CHEMSTAR® Pumps for Corrosive Gases

Model 1402N



Major Repair Kit CAT. No. 1402K-10 for Model 1402N

ID	Qty.	Description	ID	Qty.	Description
Major Repair Kit 1402K-10					
1	1	Shaft Lip Seal Kit, 3/4" CAT. No. 1401D-01	14	1	Exhaust Valve, Upper
2	1	Gasket Intake Chamber Cover	15	1	Exhaust Valve, Lower
3	6	Copper Washer	16	3	Spring Holder
4	1	Intake Screen	17	6	Vane Spring
5	1	Thrust Washer	18	2	Vane, Small
6	1	Rotor Clip for Shaft	19	2	Vane, Large
7	2	Woodruff Key	20	1	Spacer for Valve Block
8	1	Gasket, Oil Case	21	2	Valve Spring
9	2	Woodruff Key	22	2	Valve for Block
10	1	O-Ring	Minor Repair Kit CAT. No. 1402K-09		
11	3	Thrust Disk	Contains same as Major Repair Kit 1402K-10 except vane I.D. No. 18 and 19.		
12	1	Pressure Release Valve			
13	1	Ball Bearing			

Individual Spare Parts for Model 1402N

ID	Qty.	CAT. No.	Description	ID	Qty.	CAT. No.	Description
A	1	61-8319B	Oil Case Assembly			★8995G-11	Gold Vacuum Pump Oil -1 L.
B	1	1393G	ISO NW 25 Adapter 1-20"			★8995G-15	Gold Vacuum Pump Oil -1 Ga.
C	1	41-2045	Small End Plate			★331060-5	5' x 13/16" I.D. Vacuum Hose
D	1	61-8108D	Exhaust Ring	18	1	41-1487	Vane, Small (Requires 2)
E	1	41-1518	Exhaust Rotor	19	1	41-0959	Vane, Large (Requires 2)
F	1	41-2074	Pump Pulley with Set Screw		1	1371A-01	Belt Guard & Base Kit
G	1	41-2093	Shaft		1	61-8803	Belt Guard/Cover
H	1	61-8250C	Center Plate	23	1	41-1736	Gas Ballast Valve
I	1	41-2092	Intake Rotor		1	41-0668	Motor Pulley with Set Screw
J	1	61-8113C	Intake Ring		1	61-8698	Pump Base
					1	41-1907A	1/2 HP Motor, 115/230V, 60Hz, 1Ph
1	1	★1401D-01	Shaft Lip Seal Kit, 3/4"	30	1	61-2229A	Oil Window Glass (Requires 2)
	1	★1401D	Shaft Mechanical Seal Kit	31	1	726130	Drain Valve
	1	★1405A	V-Belt	32	1	61-2370	Oil Window Cover (Requires 2)
		★1417P-10	Standard Exhaust Filter	33	1	61-1014	Screw (Requires 4)
		★1417G	Replacement Exhaust Filter Element	34	1	66-0304	O-Ring (Requires 2)

★ - Suggested Spare and Consumable Parts