

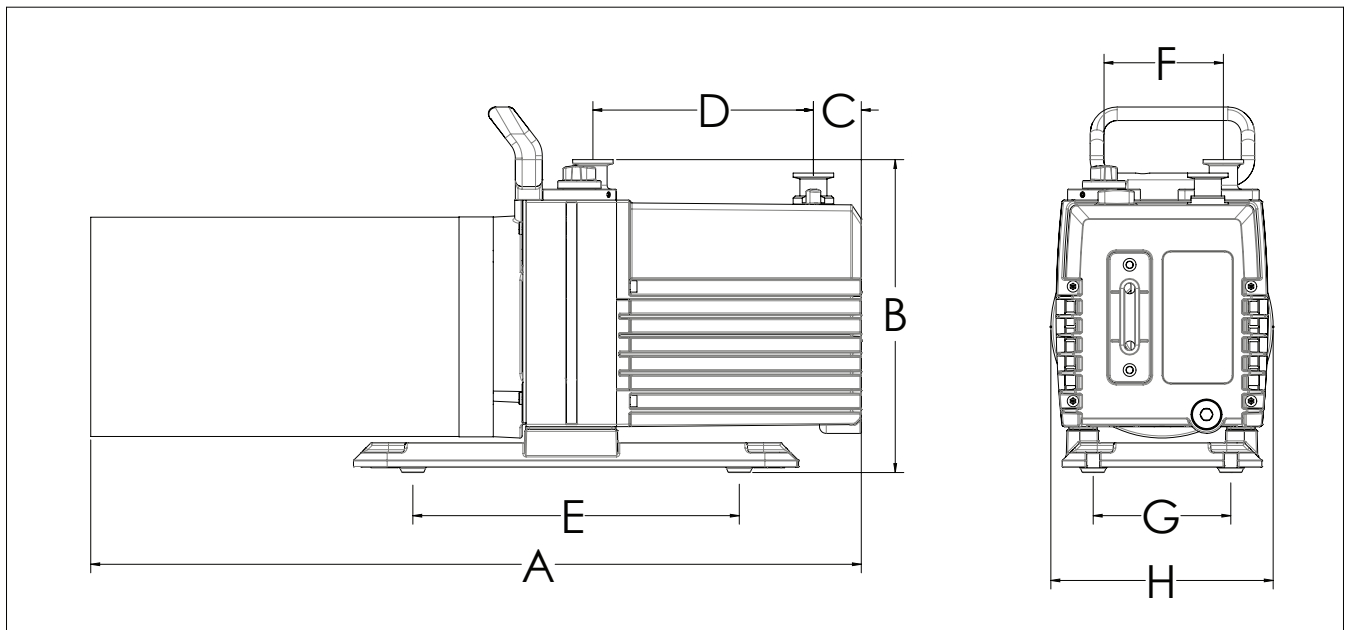
WELCH - CRVpro models with Explosion Proof Motors

Model	Cat. No.	Power Requirements	Free Air Displacement
CRVpro 4	3046E-01	110-120V, 8.5A / 208-240V, 4.5A, 60Hz, 1Ph	2.8 CFM (78 lpm)
CRVpro 8	3086E-01	110-120V, 8.5A / 208-240V, 4.5A, 60Hz, 1Ph	5.6 CFM (158 lpm)
CRVpro 16	3166E-01	110-120V, 10.9A / 208-240V, 5.4A, 60Hz, 1Ph	12.8 CFM (363 lpm)

Explosion Proof Motor Rating: Class1, Groups C&D, Class 2, Groups F&G

Explosion proof motors require conduit wiring installation by a certified electrician.

Dimensions:



Pump type	A	B	C	D	E	F	G	H
	mm							
CRVpro 4	570	230	35.5	163.5	242	88.5	90	181.5
CRVpro 8	570	230	35.5	163.5	242	88.5	90	181.5
CRVpro 16	617	280	43.5	220.5	307	118	149.5	205.5