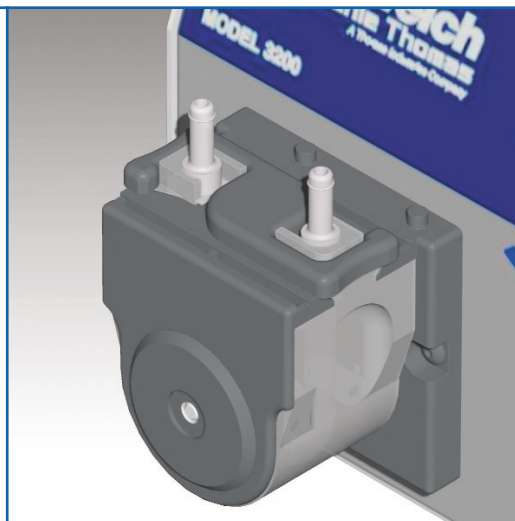
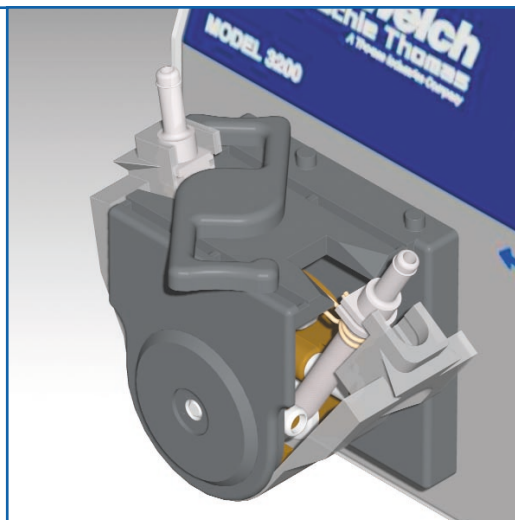


# Changing tubing is as easy as . . .

**1** Disconnect application tubing from pump.



**2** Remove tubing cartridge from head and replace.



**3** Snap tubing into head, attach application tubing and the tubing change is complete.

