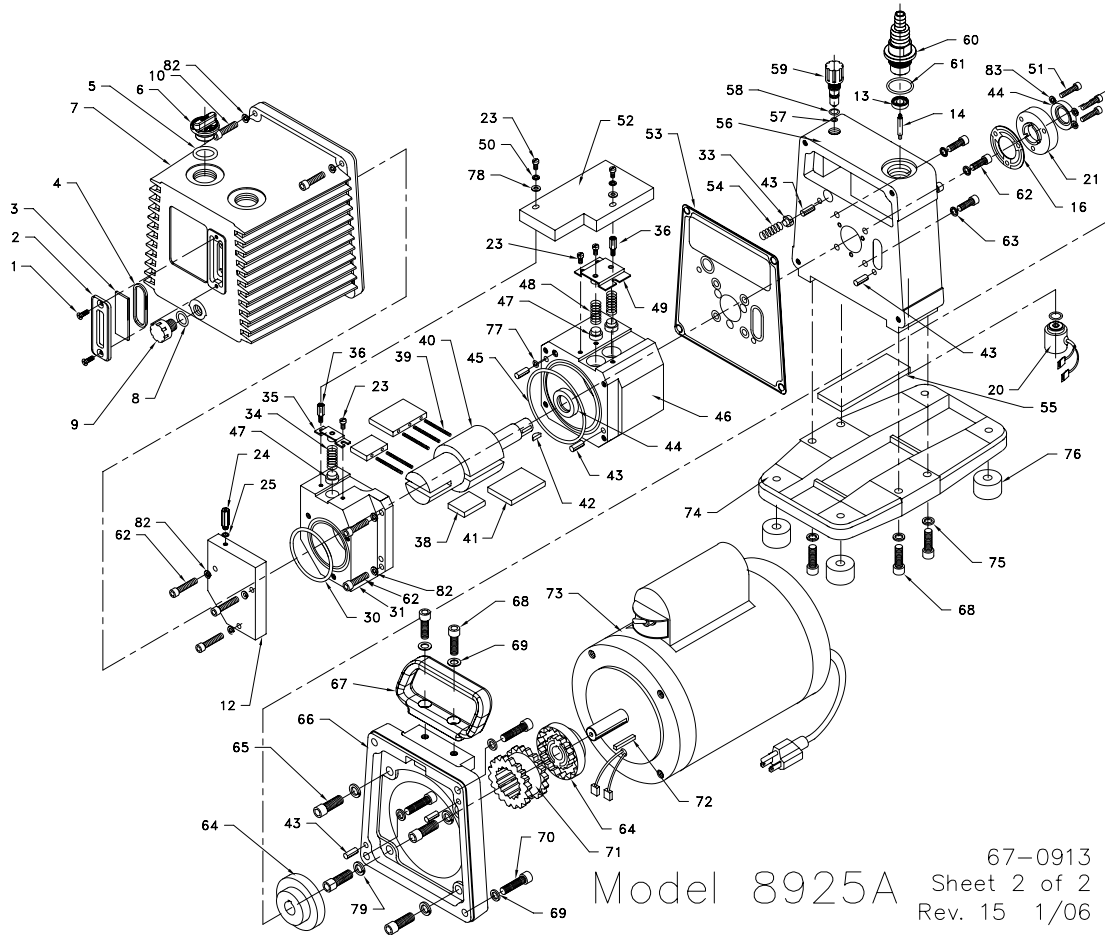


10.35 Exploded Views and Parts List for 8925A



PARTS LIST FOR MODEL 8925A

ITEM	QTY	P/N	A*	B*	DESCRIPTION	ITEM	QTY	P/N	A*	B*	DESCRIPTION
1	2	62-1014			SCREW FLAT HD #8-32x3/8	48	2	61-9582A			BYPASS VALVE SPRING
2	1	61-2370			WINDOW HOLDER	49	1	61-9686			INTAKE VALVE COVER
3	1	61-2229A			WINDOW GLASS	50	2	2-69-6108			LOCK WASHER #8
4	1	66-0304			O-RING, FLUOROELAST. #127	51	3	2-00-6814			SCREW SOCKET HD #10-32x7/8
5	1	66-0212			O-RING, FLUOROELAST. #119	52	1	61-9687			VALVE COVER ASSEMBLY
6	1	61-6020			OIL FILL PLUG	53	1	61-9609B			GASKET
7	1	61-5358			OIL CASE	54	1	61-6305A			SPRING, GAS BALLAST
8	1	61-2130A			O-RING, FLUOROELAST. #115	55	1	61-9742			DRIP PAD
9	1	61-2372			DRAIN PLUG	56	1	61-5347			MOUNTING PLATE
10	4	2-01-6116			SCREW SOCKET HD 1/4-20x1	57	1	61-2157A			O-RING, FLUOROELAST. #007
12	1	61-9539B			COVER PLATE	58	1	61-9282A			O-RING, FLUOROELAST. #011
13	1	61-9793			ISOLATOR DISK	59	1	61-6324			GAS BALLAST VALVE ASSEMBLY
14	1	61-6279			PLUNGER	60	1	61-5348			INTAKE ADAPTER ASSEMBLY
16	1	41-0643			GASKET	61	1	66-0200			O-RING, FLUOROELAST. #216
20	1	61-9935			ISOLATOR ASSEMBY	62	11	2-01-6114			SCREW SOCKET HD 1/4-20x7/8
21	1	61-8104A			SHAFT SEAL HOUSING	63	4	62-1071			LOCK WASHER 1/4 SMALL
23	5	2-00-2604			SCREW FILLISTER HD #8-32x1/4	64	2	41-3072			FLANGE COUPLING
24	1	62-0274			ORIFICE .014"	65	4	2-01-6516			SCREW SOCKET HD 3/8-16x1
25	1	41-3175			GASKET, NYLON	66	1	61-5246			MOTOR ADAPTER PLATE
30	1	61-9379			O-RING, FLUOROELAST. #139	67	1	61-6011			HANDLE
31	1	61-5307			EXHAUST STAGE	68	6	2-01-6316			SCREW SOCKET HD 5/16-18x1
33	1	61-2118A			VALVE, GAS BALLAST	69	6	41-2363			WASHER
34	1	61-9561A			EXHAUST VALVE SPRING	70	4	2-01-6320			SCREW SOCKET HD 5/16-18x1-1/4
35	1	61-9685			EXHAUST VALVE COVER	71	1	41-3073			COUPLING SLEEVE
36	2	61-9478			STAND OFF SPACER	72	1	41-2637			MOTOR SHAFT KEY (SUPPL. w/MOTOR)
38	2	61-9570A			EXHAUST VANE	73	1	61-5359			MOTOR ASSEMBLY 3/4 H.P.
39	5	41-2996			VANE, SPRING	74	1	61-5245			BASE
40	1	61-5304			ROTOR	75	4	2-63-0356			LOCK WASHER 5/16
41	2	61-9571B			INTAKE VANE	76	4	61-9607A			RUBBER BUMPER
42	1	41-0624			WOODRUFF KEY	77	1	41-3005			O-RING, FLUOROELAST. #008
43	6	61-9280A			DOWEL PIN, 1/4"	78	2	2-68-5632			WASHER #8
44	2	41-3390			LIP SEAL 3/4"	79	4	2-63-0593			LOCK WASHER 3/8
45	1	61-9378			O-RING, FLUOROELAST. #152	82	11	2-63-0193			LOCK WASHER 1/4
46	1	61-5305			INTAKE STAGE	83	3	2-62-0793			LOCK WASHER #10
47	3	61-9560A			BYPASS VALVE						

A* : MAJOR REPAIR KIT CAT# N/A
B* : MINOR REPAIR KIT CAT# 8925K-02