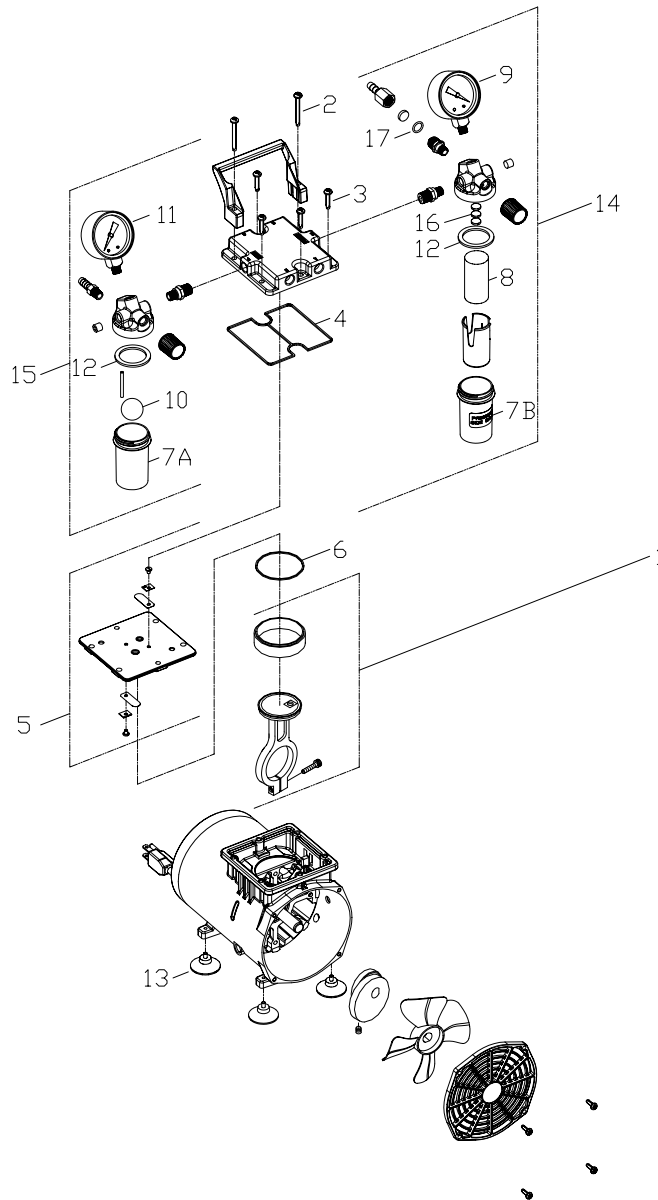


8.20 MODEL 2534B-01 PARTS LIST AND EXPLODED VIEW



Item Number	Qty.	Part No.	Description	Service Kit 2522K-03	Seal Kit 2522K-04	Feet Kit 2500K-04
1	1	2522K-01	Connecting Rod Ass'y	1		
2	1	Note 1	Handle Screw	2		
3	1	Note 1	Head Screw	4		
4	1	Note 1	O-Ring Head	1	1	
5	1	2565K-02	Valve Plate Ass'y	1		
6	1	Note 1	O-Ring Cylinder	1	1	
7A	1	Note 1	Jar-Plastic	1	1	
7B	1	Note 1	Jar-Plastic	1	1	
8	1	Note 1	Filter Element	1	1	
9	1	726025	Pressure Gauge			
10	1	Note 1	Ball	1	1	
11	1	726021	Vacuum Gauge			
12	1	Note 1	Gasket	1	1	
13	1	Note 1	Rubber Suction Feet			4
14	1	2522K-06	Pressure Regulator Ass'y			
15	1	2534K-05	Vacuum Regulator Ass'y W/Pa Gauge			
16	1	2522K-10	Replacement Filters	3	3	
17	1	Note 1	O-Ring Cylinder	1	1	

Note 1: These parts are not available separately, but are supplied in service kits