

## Linear Diaphragm Pumps

**New****Model 2415/2425**

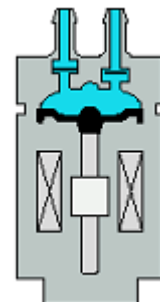
- Compact & Quiet
- Continuous duty – long life
- Low power consumption – high efficiency
- Low noise & vibration
- No bearings
- Few moving parts
- Less friction and heat – longer life
- Oil-less

**Model 2478**

Linear pumps and compressors are quiet and efficient with fewer wearing parts than equivalent reciprocating devices. Linear compressors are regarded as long life, low maintenance devices. However, the pneumatic performance is limited to the strength of induced magnetic field, making them suitable for low differential pressure applications.

Gardner Denver Welch Vacuum Technology has a wide range of linear/vibrating armature pumps & compressors with flows ranging from 0.31 to 104 liters per minute under free flow conditions.

The new series of oil-less linear compressors from Gardner Denver Welch Vacuum Technology provide efficient, economical sources of air for aeration in life science, environmental as well as many other applications. Their quiet operation eliminates the need for additional expensive sound insulation. The series' simple design with few moving parts contributes to their long life and their low pulsation means there's no need for a pulsation chamber.



Models 2415 and 2425 deliver both pressure and vacuum and are available in both 115V/60Hz and 230V/50Hz. They provide maximum continuous and restart pressures up to 4.0 psi, maximum intermittent pressure up to 5.5 psi, maximum vacuum up to 7.5" Hg and maximum flow of 1.5 CFM.

All pumps include line cords and a barb fitting to conveniently connect to your application.

**Welch®** - Applied Vacuum Technology for the Laboratory

Gardner Denver Thomas, Inc., Welch Vacuum Technology









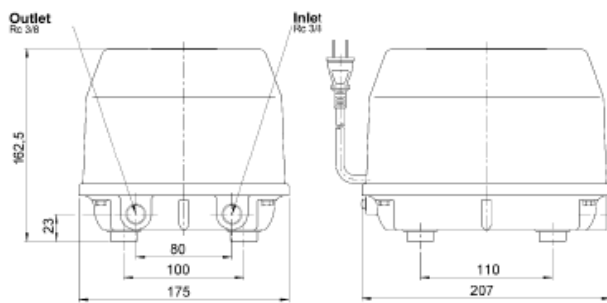
# Linear Diaphragm Pumps



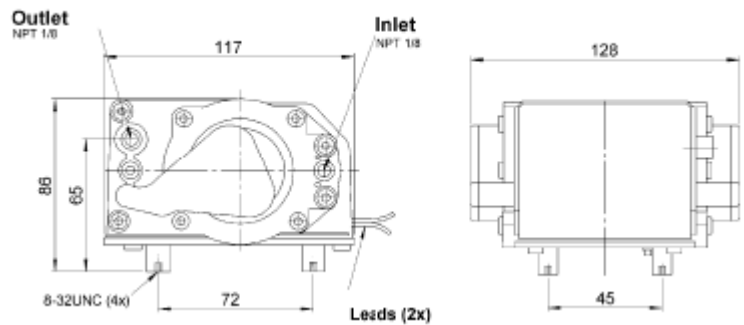
A Gardner Denver Product

## Product overview

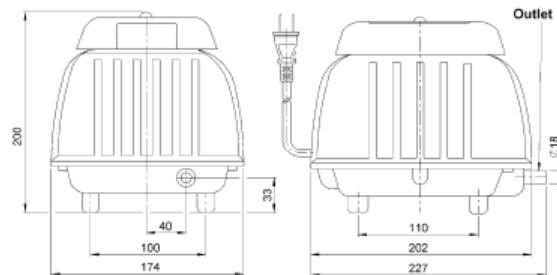
Model	Pressure	Vacuum		Flow at rated pressure
		without housing	with housing	
 2420B-01	●	●	●	 1.24 CFM (35) l/m @ 3.0 psi
 2415B-01 2425B-01	● ●	● ●	● ●	 1.1 CFM (31) l/m @ 2.0 psi/4.0 " Hg 2.0 CFM (56) l/m @ 4.0 psi/8.0 " Hg
 2430B-01 2440B-01 2460B-01 2478B-01	● ● ● ●	● ● ● ●	● ● ● ●	 2.0 CFM (56 l/m @ 3.0 psi) 2.3 CFM (65 l/m @ 3.5 psi) 3.2 CFM (91 l/m @ 4.0 psi) 3.6 CFM (102 l/m @ 3.5 psi)



Model 2420



Model 2515/2425



Model 2430/2440/2450/2478



Gardner Denver Thomas, Inc., Welch Vacuum Technology  
 7301 N. Central Avenue, Skokie, IL 60077  
 Phone: (847) 676-8800 Fax: (847) 677-8606  
 Email: [welchvacuum@rtpumps.com](mailto:welchvacuum@rtpumps.com)  
 Web: [www.welchvacuum.com](http://www.welchvacuum.com)

Welch is a registered trademark of Gardner Denver Thomas, Inc., Welch Vacuum Technology