

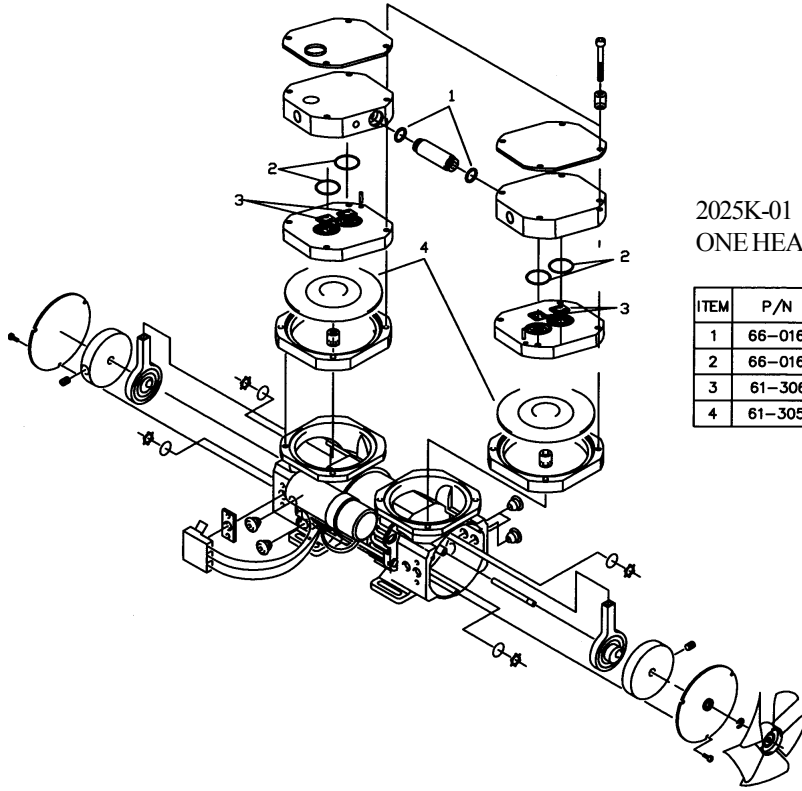
**PARTS LIST SELF-CLEANING DRY VACUUM SYSTEM**

ITEM	QTY	PART NO.	DESCRIPTION	SERVICE KIT 2025K-06 *
1	4	See Note 1	Hose Clamp 5/16"	4
2	2	See Note 1	Hose Clamp 1/8"	2
3	0.35	See Note 1	Tubing, Fluoroelastomer	0.35 Ft.
4	1.60	See Note 1	Tubing, Blended	1.60 Ft.
5	1.30	See Note 1	Tubing, PTFE Duality	1.30 Ft.
6	1	See Note 1	Gasket	1
7	1	See Note 1	U-Clamp	1
8	1	62-0157	Vacuum Gauge 2" Dial	--
9	2	61-3011	Glass Jar Assembly	--

NOTE: 1. THESE PARTS ARE NOT AVAILABLE SEPARATELY,  
 BUT THEY ARE SUPPLIED IN 2025K-06 SERVICE KIT  
 2. PUMP PARTS INCLUDED IN 2025K-01 & 2027K-01 REPAIR KITS

\* FOR MODELS 2025, 2026 & 2027 WITH S/N > ECO91300

# REPAIRING KIT 2025K-01 (FOR 2025)

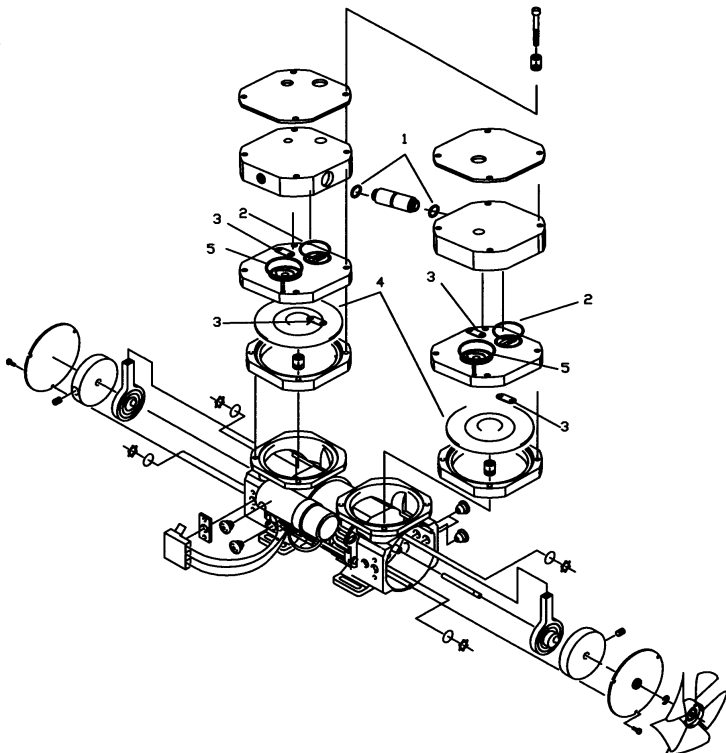


2025K-01  
ONE HEAD SERVICE KIT (S/N > ECO91300)

ITEM	P/N	DESCRIPTION	QTY
1	66-0167	O-Ring 10.5 mm 3.0 mm C/S	1
2	66-0166	O-Ring	2
3	61-3061	Valve	2
4	61-3059	PTFE Diaphragm	1

67-1583  
Sheet 1 of 1  
Rev. 2 11/2003

# REPAIRING KIT 2027K-01 (FOR 2026 AND 2027)



2027K-01  
ONE HEAD SERVICE KIT (S/N > ECO91300)

ITEM	P/N	DESCRIPTION	QTY
1	66-0167	O-Ring 10.5 mm 3.0 mm C/S	1
2	66-0166	O-Ring	1
3	61-3706	Valve	2
4	61-3059	PTFE Diaphragm	1
5	61-1149	O-Ring 1-1/8" ID FEP/MTON	1

67-1615  
Sheet 1 of 1  
Rev. 1 11/2003