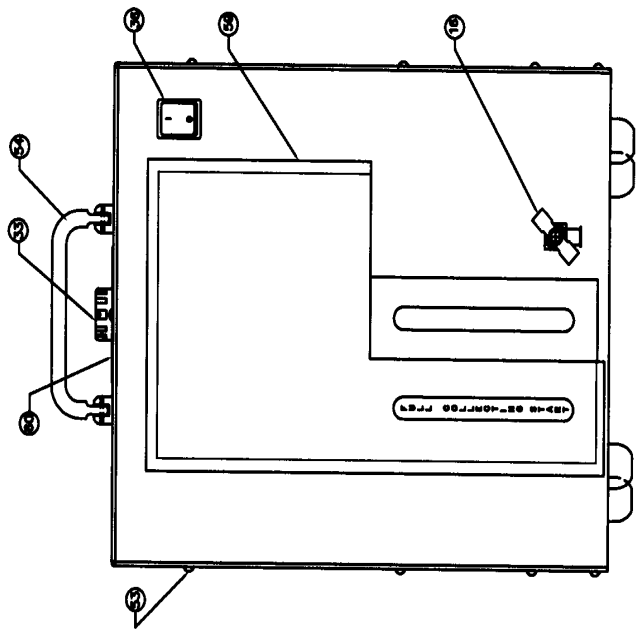
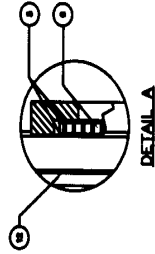
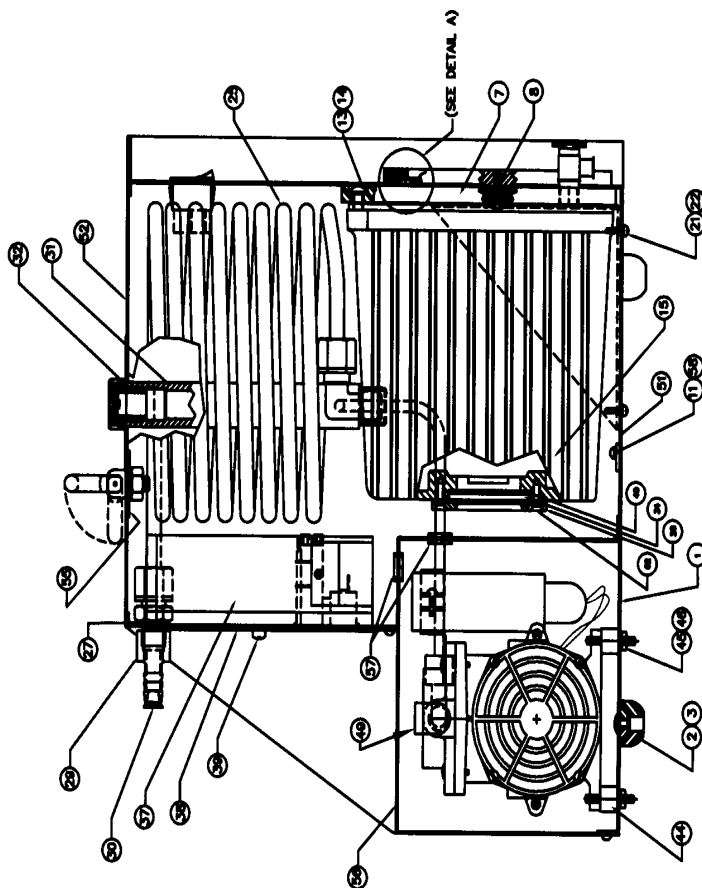
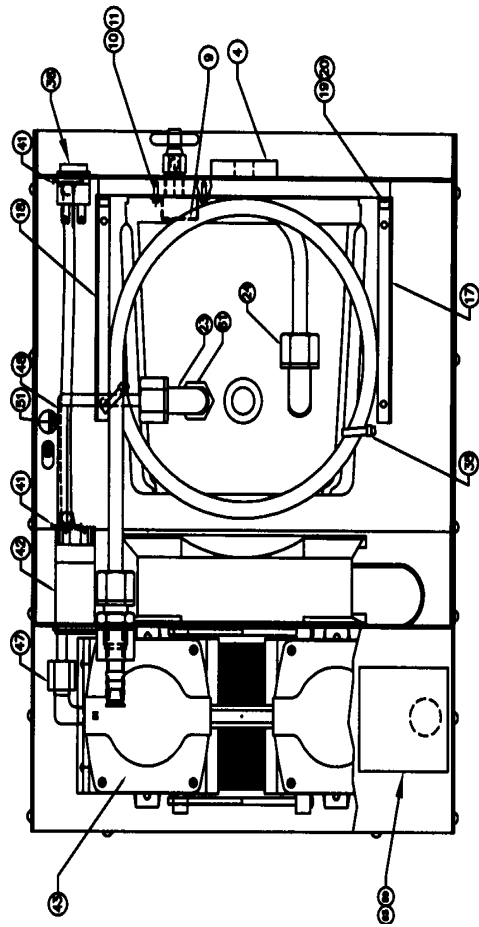


**PARTS LIST**  
**MODEL 1426 GELMASTER**

ITEM	QUAN	PC. NO. DESCRIPTION	ITEM	QUAN	PC. NO. DESCRIPTION
1	1	61-5066	37*	1	61-3635
1**	1	V.T. Base Assembly	37*	1	Fan, 115V 60Hz (used on 142601)
2	4	61-5205	37*	1	62-0208
3	4	61-9334A	37*	1	Fan, 230V 50Hz (used on 142602)
4	1	4-32-0608	37*	1	Fan, 230V 60Hz (used on 142603)
5	2	61-1224B	38	1	61-5202
6	1	61-1230A	39	2	Fan, 115/230V-50/60Hz (used on 142604)
7	1	61-1229A	40	1	Fan Finger Guard
8	6	61-1284D	41	3	Screw #10-32 x 5/8" Pan Head
9	1	62-0020	42*	1	O-Ring, #127
10	4	61-1239A	43	1	Cable Anchor
11	4	2-62-0432	44	4	Power Module Assembly (used on 142601)
12	1	2-20-5403	45	4	Power Module Assembly (used on 142602)
13	4	61-1206B	46	4	Power Module Assembly (used on 142603)
14	4	62-0021	47	1	Power Module Assembly (used on 142604)
15	1	61-3558	48	1	Diaphragm Pump
16	1	61-2278	49	1	Vibration Mount
17	1	61-5206	50	1	Split Lock Washer #8
18	1	61-5207	51	1	Hex Nut #8
19	4	2-69-6108	52	1	Male Elbow, 1/8 NPT
20	4	2-00-6606	53	26	Collector Outlet Tube
21	4	2-70-5632	54	1	Street Elbow 1/8 NPT x 1/8 NPT
22	4	62-0138	55	1	Plastic Bag
23	1	61-8845	56	1	Label Earth Ground
24	1	61-8846	57	2	V.T. Cover
25	1	61-5060	58	1	Sheet Metal Screw
27	1	62-1015	59	1	Handle
28	1	61-2228A	60	1	Backing Plate
29	1	61-3354	61	1	Finished Pump Cover
30	1	41-3000	62	2	Grommet
31	1	61-1240B	63	1	#6 External Tooth Lockwasher
32	1	61-2130A	00*	1	Front Nameplate
33	1	61-2372	00*	1	Oil Fill Label
34	1	61-2229A	00*	1	Bushing Hex 3/8 MPT x 1/4 FPT 304 S.S.
35	2	18-6300	00*	1	Screw, 8-32 x 3/8
36	1	61-1213	00*	1	Silencer
					125V N. American Power Cord (Used on 142601)
					250V European Schuko Power Cord (Used on 142602)
					250V U.S. Power Cord (Used on 142603)
					125V Japan Power Cord (Used on 142604)

\*\* Used only on 142604 Version all others use 61-5066 Base Assembly



67-1202  
 Sheet 2 of 2  
 Rev. 17 6/04

Model 1426