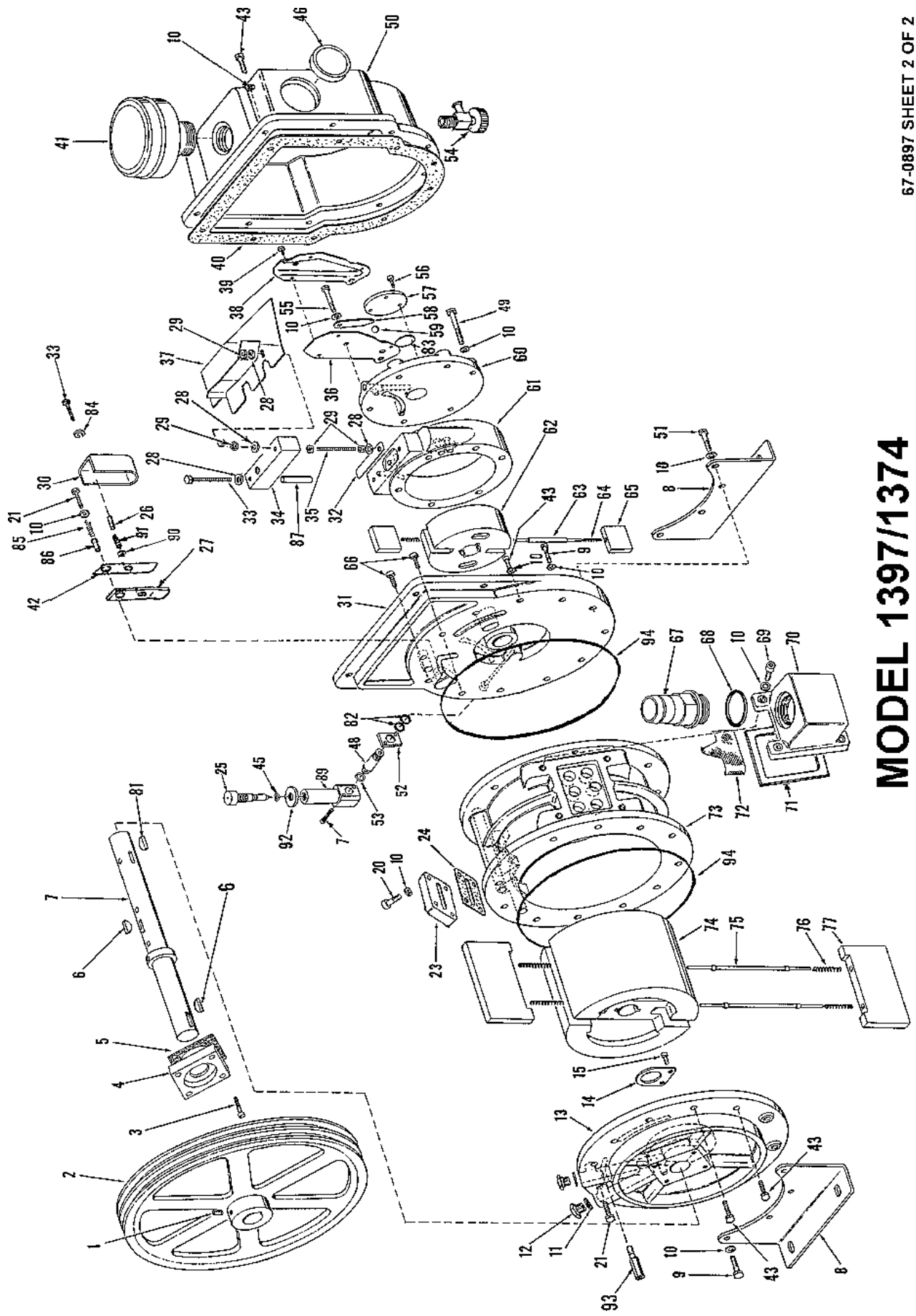


PARTS LIST MODEL 13971374 VACUUM PUMP

ITEM	QUAN	PC. NO. A*	B*	DESCRIPTION	ITEM	QUAN	PC. NO.	A*	B*	DESCRIPTION
1	1	2-01-9306		Set Screw 5/16-18x3/8	48	1	61-8101A			Connector for GB Valve
2	1	41-1492		Pulley incl. Item 1	49	5	62-0222			Soc Hd Screw 5/16-18x2-3/4
3	4	2-01-6116		Soc Hd Screw 1/4-20x1	50	1	41-1482			Oil Case Assy. incl Item 54 & (2) Items 46
4	1	61-5074		Shaft Lip Seal Assy.	51	4	62-0213			Soc Hd Screw 5/16-18x1-3/4
5	1	41-1494		Seal Gasket	52	1	61-8102A			Flange For GB Valve
6	2	41-1490	2	Woodruff Key	53	1	61-8103	1	1	O-Ring #905 Fluoroelastomer
7	1	41-1484		Shaft & Collar	54	1	41-1734			Drain Valve
8	2	41-1486		Leg	55	1	2-01-0344			Hex Hd Screw 5/16-18x2-3/4
9	7	2-01-6324		Soc Hd. Screw 5/16-18x1-1/2	56	3	2-00-2706			Flat Hd Screw 10-32x3/8
10	38	41-2363		Steel Washer	57	1	41-0672			Shaft End Cap
11	3	41-1137		Plug Washer	58	1	41-0992	1	1	Pressure Relief Valve
12	2	41-1136		Plug	59	1	4-40-1200	1	1	Steel Ball 3/8 Dia
13	1	61-8770		Large End Plate	60	1	41-1500			Small End Plate
14	1	41-0055		Spacer	61	1	41-1497			Exhaust Ring
15	2	2-00-2704		Fil Hd Screw 10-32x1/4	62	1	41-1499			Exhaust Rotor
20	4	2-01-6316		Soc Hd Screws 5/16-18x1	63	1	41-0696	1	1	Small Spring Holder
21	2	2-01-6320		Soc Hd Screw 5/16-18x1-1/4	64	2	41-1304	2	2	Small Vane Spring
23	1	61-8880		Cover Plate for Conversion Valve	65	2	41-1487	2		Small Vane Metal
24	1	41-1508	1	Valve Gasket	66	2	2-01-0316			Hex Hd Screw 5/16-18x1
25	1	41-1736		Gas Balast Valve incl. Item 45	67	1	61-8469A			Intake Nipple
26	1	41-2258		Hardened Sleeve 1/4 Size	68	1	61-8475	1	1	O-Ring #224 Fluoroelastomer
27	1	61-8538A	1	Valve Backer	69	4	2-01-6314			Soc Hd Screw 5/16-18x7/8
28	8	2-61-0000		Steel Washer 1/4-20 Bolt Size	70	1	61-8693			Intake Chamber
29	4	2-31-0112		Hex Steel Nut 1/4-20x7/16	71	1	41-1495	1	1	Intake Chamber Gasket
30	1	41-2253		Discharge Valve Cover	72	1	41-0937	1	1	Screen Filter
31	1	41-1465		Center Plate	73	1	61-8691			Large Ring
32	1	41-2161	1	Exhaust Valve	74	1	41-1478			Large Rotor
33	2	2-01-0120		Hex Hd Screw 1/4-20x1-1/4	75	2	41-1489	2	2	Large Spring Holder
34	1	41-2164		Cover	76	4	41-1488	4	4	Large Vane Spring
35	1	2-01-8132		Headless Screw 1/4-20x2	77	2	41-1477	2		Large Vane Metal
36	1	61-8310A		Pressure Release Tube Part 2	81	1	41-1516	1	1	Key for Small Rotor
37	1	41-1461		Deflector	82	4	41-1056	4	4	Aluminum Washer
38	1	61-8309B		Pressure Release Tube Part 1	83	1	41-1469	1	1	Spacer Disk
39	3	62-0259		Bd Hd Screw #6x1/4	84	1	2-63-0193			Split Lock Washer 1/4
40	1	41-1496	1	Oil Case Gasket	85	1	41-2256			Coil Spring
41	1	41-1501		Dust Cap	86	1	41-2257			Hardened Sleeve 5/16 Size
42	1	61-8539A	1	Valve Flapper	87	1	41-2553	1	1	Spacer
43	18	2-01-6316		Soc Hd Screw 5/16-18x1	89	1	61-8100A			GB Valve Adapter
45	1	41-1742	1	O-ring #011 Fluoroelastomer	90	1	2-69-7007			SS Washer 11/32x11/16x1/16
46	2	41-3753		Oil Sight	91	1	41-2259			Coil Spring
47	2	61-8362		Soc Hd Screw 8-32x1	92	1	41-2257			Lock Nut
					93	1	41-2165			Guard Stud
					94	2	61-8712	1	1	O-Ring #372 Fluoroelastomer
							1-99-5282	1	1	Sealant, 6 cc
							1401F	1	1	Mechanical Seal option**

A*: MAJOR REPAIR KIT CAT # 1397K-08
 B*: MINOR REPAIR KIT CAT # 1397K-07

** 1401F is mechanical seal includes mechanical seal, gasket and 4 screws



MODEL 1397/1374